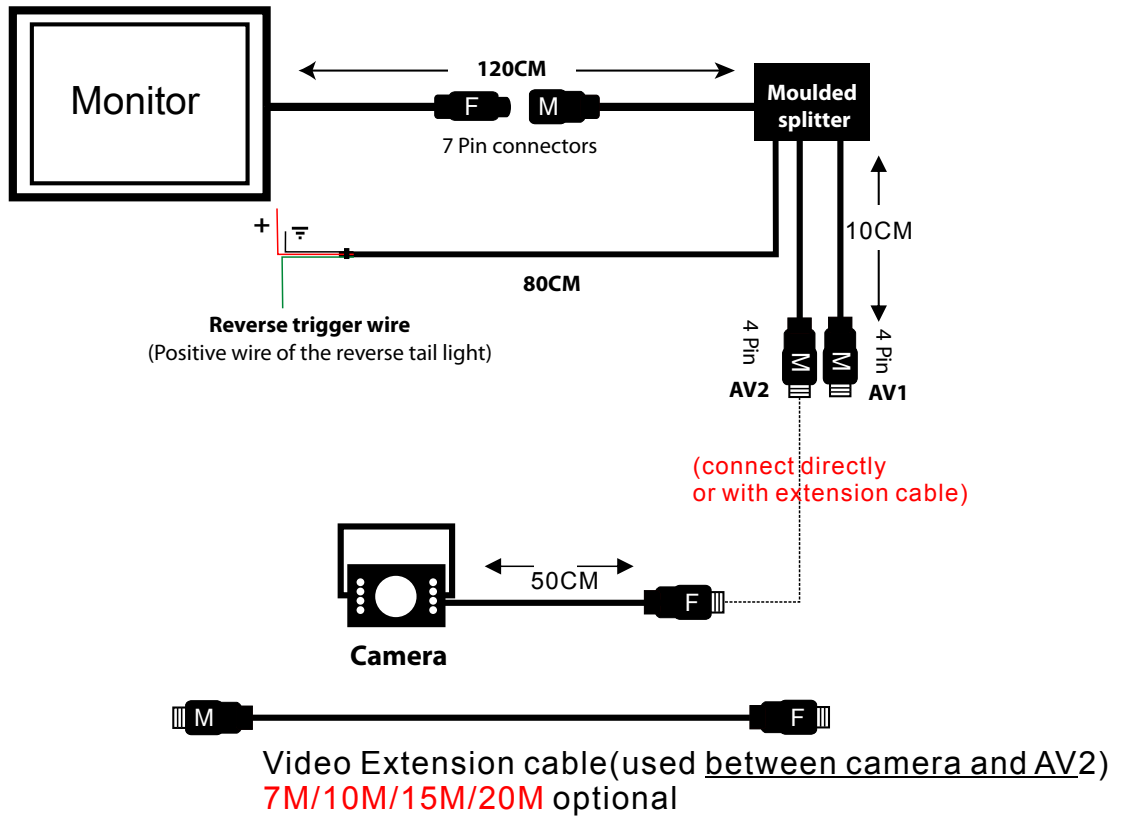


Wiring



Reference Photo

